



Republic of the Philippines  
**SOUTHERN LUZON STATE UNIVERSITY**  
Lucban, Quezon

**REQUEST FOR QUOTATION**

**AGRICULTURAL LABORATORY TOOLS (CAG)**

**Purchase Request No. 2024-02-0507**  
**Approved Budget for the Contract: ₱149,739.00**


The Southern Luzon State University through the Bids and Awards Committee invites interested firms/supplier to submit quotation for the procurement of **Agricultural Laboratory Tools (CAG)** to apply the sum of **One Hundred Forty-Nine Thousand and Seven Hundred Thirty-Nine Pesos Only (₱ 149,739.00)** inclusive of VAT, being the **Approved Budget for the Contract (ABC)**, details as follows:

Qty.	Unit	ITEM/S DESCRIPTION
25	pcs	Shovel
25	pcs	Pick Mattock
6	pcs	Wheelbarrow
25	pcs	Garden Rake
25	pcs	Hoe
20	pcs	Grafting Knife
46	pcs	Pruning Shear
6	pcs	Sprayer
9	pcs	Gardening Hedge Shears
9	pcs	Lagadera / Watering Can
25	pcs	Waterproof Rain Rubber Boots
20	pcs	Petri Dish
10	pcs	Funnel
		*see attached document for reference

1. The quotation must be submitted (can also be send thru email at the contact details listed below) or to the Office of the Procurement Office/Bids and Awards Committee, Southern Luzon State University, 2<sup>nd</sup> Flr. Hermano Puli Building, and shall be received by the Committee.

E-mail : [slsuprocedurement2021@gmail.com](mailto:slsuprocedurement2021@gmail.com)

2. The SLSU reserves the right to reject any or all quotations and/or proposals and waive any formalities/informalities therein and to accept such bids it may consider as most advantageous to the agency and to the government. Southern Luzon State University SLSU neither assumes any obligation for whatsoever losses that may be incurred in the preparation of bids, nor does it guarantee that an award will be made.

  
**MARIDEL C. ZABELLA**  
Head, Procurement Office  
Southern Luzon State University  
Lucban, Quezon  
Tel. No.: (042)540-6519



Republic of the Philippines  
SOUTHERN LUZON STATE UNIVERSITY  
Lucban, Quezon

**REQUEST FOR QUOTATION**

Office/End-User: CAG	Date:
COMPANY NAME:	PR No.: 2024-02-0507
ADDRESS :	
TEL. NO./FAX NO. :	TIN No.:

Please quote your lowest price on the item(s) listed below, subject to the Terms & Conditions stated below and submit your quotation duly signed by your representative not later than \_\_\_\_\_ of \_\_\_\_\_ in the return envelope attached herewith to the Procurement office.

**TERMS and CONDITIONS**

1. All entries must be typewritten or legibility written.
2. Delivery period within \_\_\_\_\_ upon conforme of the approved Purchase Order (P.O).  
Administrative penalties to Sec. 69 of the Revised IRR-RA 1984 shall be imposed for non-delivery without valid reason.
3. Warranty shall be for a minimum of three (3) months for Supplies & Materials;  
(1) one year for Equipment from date of acceptance by the end-user.
4. Price validity shall be for a period of sixty (60) calendar days.
5. Suppliers required to submit updated documents yearly such as G-EPS Resgistration, Certificate of Tax, Mayor's Permit, DTI, Bank Name/Account and Branch for evaluation of the Procurement Office upon submission of the quotation.
6. Bidders shall submit complete specifications showing products certification, if applicable.
7. Please indicate the brand for each items being offered.
8. The Approved budget celling for this procurement is PHP 149,739.00.

MARIDEL C. ZABELLA  
Head, Procurement Office

Item #	Qty.	Unit	ITEM/S DESCRIPTION	Unit Price	Total Cost
	25	pcs	Shovel		
	25	pcs	Pick Mattock		
	6	pcs	Wheelbarrow		
	25	pcs	Garden Rake		
	25	pcs	Hoe		
	20	pcs	Grafting Knife		
	46	pcs	Pruning Shear		
	6	pcs	Sprayer		
	9	pcs	Gardening Hedge Shears		
	9	pcs	Lagadera / Watering Can		
	25	pcs	Waterproof Rain Rubber Boots		
	20	pcs	Petri Dish		
	10	pcs	Funnel		
			*see attached document for reference		

Source of Fund:	Warranty:
Delivery Period:	Price Validity:
<p><i>After having carefully need &amp; accepted your General Conditions, We quote you on the item(s) at prices note above. If the space of provided on the Delivery Period, Warranty &amp; Price Validity are left blank, it means that I concur w/ the Terms &amp; Conditions specified by SLSU Procurement Office.</i></p>	
_____	
Printed Name/Signature/Date	



SHOVEL

**ACE SQUARE POINT SHOVEL 41IN.**

- Blade and handle are made of tempered steel
- Shaft is made of wood
- Square point blade
- Measures approximately 41in. in length

**VIKING**  
HEAVY DUTY AT WORK

**PICK MATTOCK**



**PW45W**

## Pick Mattock

4.5lb Pick Mattock for Gardening Heavy Duty Tool for Digging Planting Loosening Soil

- Viking Pick Mattock
- 4.5lbs Pick Head
- Heavy Duty 36" Tapered Wooden Handle to ensure tight fitting of head.
- Powder Coat Hammertone Finish
- Dual Purpose Head
- Sharp on one side perfect for breaking up soil and crack boulders.
- Flat Side good for Digging Tool for Cultivating and Weeding.
- Easy to Carry-Head and Handle can be separated for compact storage.

**Trümann**

WHEELBARROW



**TM55**

CAPACITY:  
**54 Liters**

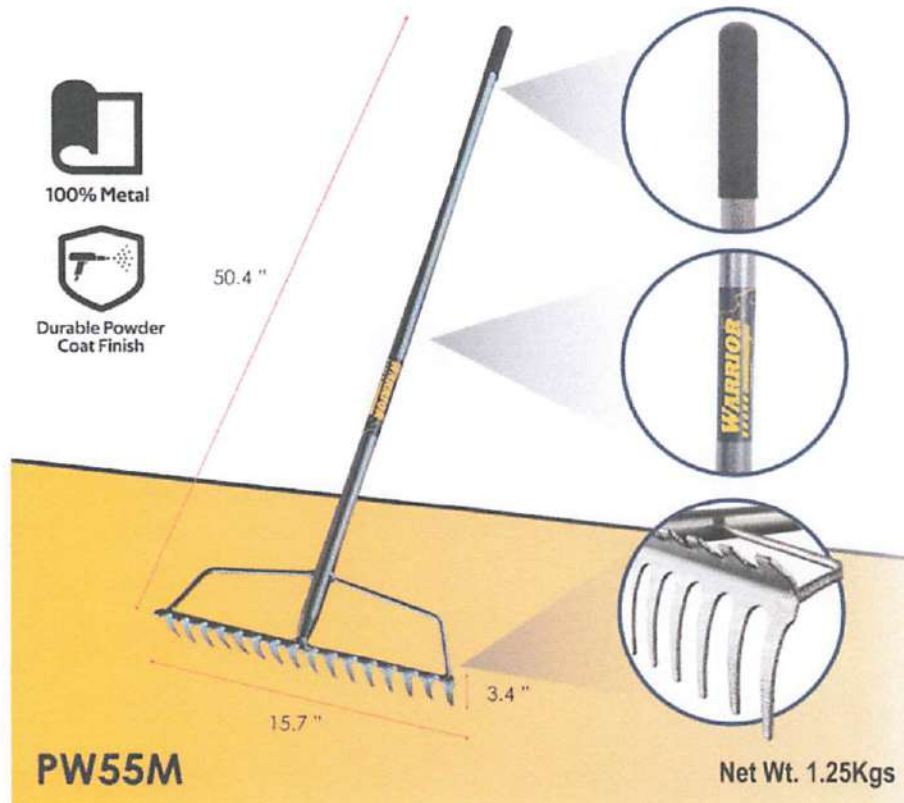
## Wheelbarrow

Wheelbarrow Deep-Type with 13-inch Solid Wheel 54 Liters Capacity Garden Trolley

- Deep-Type Wheelbarrow
- Gauge 22 Metal Tray
- Durable Powder Coat Finish
- 13" Solid Rubber Tire
- Bolt and Nut Assembly
- 54 Liters water capacity
- 200 Kilos load capacity

**WARRIOR**

Garden Rake



Garden Rake

Garden Rake 16 Tines for Gardening ALL-METAL 50-Inch Heavy Duty KALAYKAY

- Warrior Garden Rake 16 Tines
- Welded Bow Rake Head
- Heavy Duty All Metal Handle 50"
- Cushioned Rubber Grip reduces hand stress
- Powder Coat Hammertone Finish



Hoe

Eagle Tools Garden Hoe 3.5lbs. Wooden Handle Gardening Tools

Specifications of Eagle Tools Garden Hoe 3.5lbs. Wooden Handle Gardening Tools

- SKU  
2630339105\_PH-12466856861



## Grafting Knife

### Eagle Grafting Knife Curve

- High-Quality Stainless Steel blades, high hardness, sturdy and durable
- Ergonomics Comfortable Handle Design
- Great Grafting Knife for Pruning, Digs, Budding, Plants, Weeding, Cutting, Saws, Soil, Mushroom, Hunting etc.
- Easy grafting of all kinds of fruit trees.





## Pruning Shear

Pruning Shear 8.5" 220mm HPS0601 •BUILDMATE• IHT

- ▶ Size:8.5\"(220mm)
- ▶ Entire metal frame, more durable
- ▶ High-Quality Garden Pruning Shear
- ▶ 55# carbon steel blade
- ▶ Heat treatment Teflon coating
- ▶ PP handle covered TPR grip



## Sprayer

Knapsack Sprayer 16L | 20L [SOLD PER SET] Manual Knapsack Sprayer Garden Sprayer Agricultural Sprayer Backpack Sprayer Chemical Sprayer Pump Sprayer Gardening Tank Sprayer Disinfection Sprayer Tools HSP4161 | HSP41602 | HSP42002 IHT

- ▶ Y trigger with fiber glass lance
- ▶ Adjustable nozzle from jet to mist
- ▶ Large container specifically designed for spraying larger areas
- ▶ Big pump body more convenient
- ▶ Agricultural use
- ▶ Disinfection use



## ✓ GARDENING HEDGE SHEARS

- Garden hedge shears
- Stainless steel blade
- Wooden grip handle
- Heat-treated ergonomic blade
- Shock absorbing handles
- Measures 19 ½ in.



### Lagadera/Watering Can

High quality Lagadera watering can Pandilig gardening tools and needs Regadera Water sprinkler

- Product description of High quality 2.5L or 6L Lagadera watering can Pandilig gardening tools and needs Regadera Water sprinkler
- High Quality Lagadera
- Please choose your desire size (2.5L or 6L or 10L)
- Color depends on availability. No choosing of color please. (usually green, red or blue)
- Thick Materials
- Ideal for watering the plants, etc.



Lucky Waterproof Rain Rubber Boots, Farm Gardening Boots, Food Grade Factory Boots

- 100% Brand New and High Quality
- Applicable age group - Adult • Upper material – PVC
- Sole material - Beef Tendon
- Applicable gender – Male
- Tube height - High Tube
- Function - Massage, Breathable, Non-slip, Wear-Resistant, Sweat-Absorbing, Shock Absorption
- Pattern - Solid Color
- Inner material - Faux Fur
- Insole material – Textiles
- Toe shape - Round Head
- Heel shape - Flat Heel • Boot material – Plastic
- Shape - Men's high top rain boots • Size - 39, 40, 41, 42, 43,

44  
(2)

pcs. (10) (4) (3) (3) (3)



Petri Dish

OPTION 1: Pyrex Glass Petri Dish  
Cat. No. Pyrex 3160  
Diameter: 100 mm or 150 mm  
Height: 15 mm or 20 mm  
Autoclavable at 121 degree Celsius  
Pair of bottom and cover glass



## Funnel

- ✓
- ✓ borosilicate glass material
- ✓ fluted (ribbed) funnel reduces filtering time
- ✓ 60 degrees cone angle for optimal filtration
- ✓ with heavy duty beaded edge
- ✓ with short stem
- ✓ available diameter: 50mm, 65mm, 75mm, 100mm
- ✓ sold per piece